

# LOCK

## Hotel Laptop safe 15"

- Made of steel with a thickness of 1.5mm (door thickness no less than 4mm)
- Seamless steel housing with a matte black rust-resistant powder coating
- 2 solid steel locking bolts for extra security
- Easy to operate for hotel guests with 4-6 digit code
- Soft-touch keyboard and bright red LED display
- Adjustable administrator code (6 digits)
- Automatic locking after 5 minutes if the user forgets to lock the safe
- Time slot for 3 incorrect entries
- Emergency opening with master key or administrator code
- Unlocking records available in admin mode
- Battery operated (4x 1.5V AA, included)
- This safe is equipped with a low battery indicator
- Pre-drilled anchor holes for permanent mounting
- Suitable for 15 inch laptops

\*Optional CEU hand decoder available

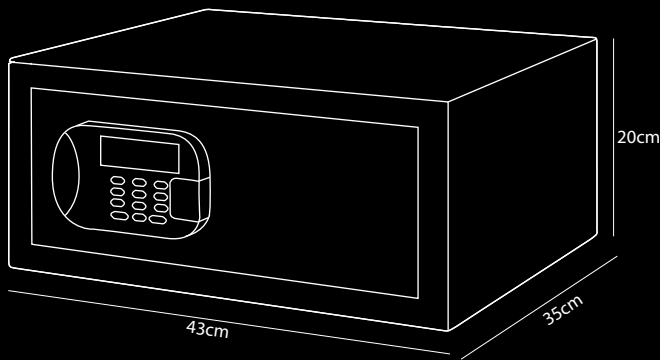


More Information  
Laptop Safe

**dutch**  
DESIGN

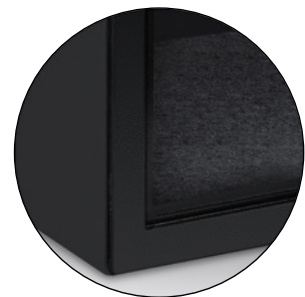
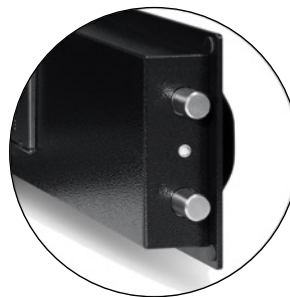
Buy three  
plant one tree  
weforest.org

**2**  
YEAR  
WARRANTY



Size:  
L43 x W35 x H20cm

**mix & match...**



**eye4**  
detail...

Request an offer



*Find the Perfect Match*